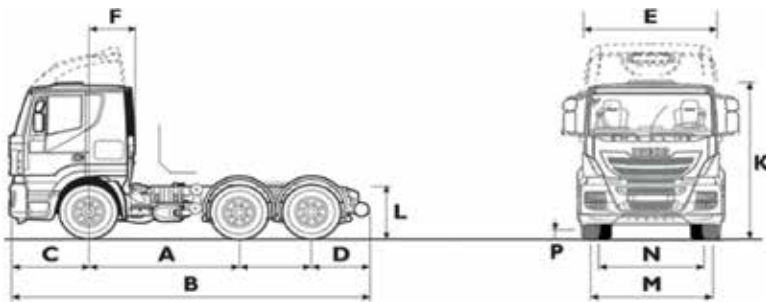
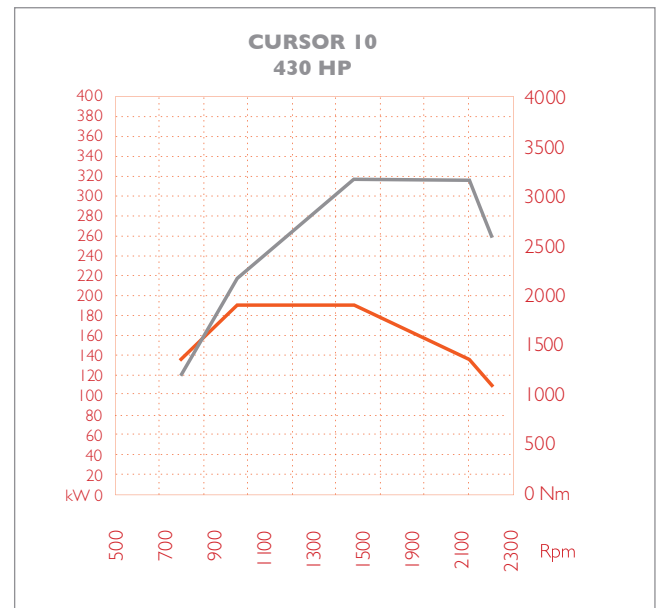


STRALIS HI-WAY

AT440S43TY/PT TRACTOR SLEEPER 6X2



DIMENSIONS (mm)		
A	Wheelbase	3200
AI	Tandem	1395
B	Overall length over bumpers	6815
C	Front overhang	1410
D	Rear overhang	778
E	Cab width	2550
F	Cab gap (Sleeper)	940
K	Cab height (unladen)	3000
L	Frame height at rear axle Frame thickness Turning circle (wall to wall)	1017 7,7 15980
M	Front track	2040
N	Rear track	1820
P	Ground clearance (front) Ground clearance (back)	245 227



PLATED WEIGHTS (Kg)	
GVM	25500
GCM	45 000
1st axle	7500
2nd axle	9000
3rd axle	9000

ENGINE	
Type	IVECO Cursor 10 F3AEE681D*B
Turbocharger	Variable Geometry Turbine
Cylinders in line	6
Bore (mm)	125
Stroke (mm)	140
Capacity (litres)	10,3
Max power (HP/kW)	430/316
@ rpm	1590-2100
Max torque (Nm/mKg)	1900/194
@rpm	1050-1590
EEC emissions regulation	Euro 3
Cooling fan	Electro-magnetic
Fuel system	Unit injector system
Speed limiter	90km/h
Cruise control	Diver programmable
Air admission/Filter type	Rear cab snorkel/dry - Horizontal

DESIGN WEIGHTS (Kg)	
GVM	26000
GCM	45000
1st axle	7500
2nd axle	10500
3rd axle	10500

KERB WEIGHTS (Kg)	
Front axle	4965
Second axle	2310
Third axle	1155
Total	8430

IVECO

STRALIS HI-WAY AT440S43TY/PT TRACTOR SLEEPER 6X2

GEARBOX

Type	Eurotronic I2AS1930TD					
1st	15.86	2nd	12.33	3rd	9.57	
4th	7.44	5th	5.87	6th	4.57	
7th	3.47	8th	2.70	9th	2.10	
10th	1.63	11th	1.29	12th	1.00	
Rev I	14.6	Rev 2	11.4			

PERFORMANCE

Type	ZF I2AS 1930TD	
	Std	
Axle ratios available	3.08	3.36
Geared speed (km/h)	134	123
Gradeability % @ 26t GVM	67	77
Gradeability % @ 40t GCM	39	43

CLUTCH

Type	Single plate, diaphragm spring, pull type
Diameter (mm)	(17") 430mm

BRAKES

Type	2 independent pneumatic circuits
Service	EBS + ABS
Front axle	Ventilated discs, 432mm Friction area 784cm ²
Rear axles	Ventilated discs, 432mm Friction area 784cm ²
Parking	Mechanical with spring cylinder, drive axle
Emergency	Combined with parking brake
Air reservoirs	3 x 20 litres, aluminium
Engine - IVECO Turbo Brake	Decompression. Power: 250kWh @2400 rpm
Air compressor	352cc - single cylinder
Heated air dryer	Air Processing Unit
Trailer connections	15 pin plug as alternative 7+7 pin

STEERING

Type	ZF 8098. Power assisted
Steering wheel diameter	510mm

TYRES AND WHEELS

Tyre dimensions (front)	315/80 R22.5
Tyre dimensions (rear)	315/80 R22.5
Wheel dimensions (front)	22.5 x9.00
Wheel dimensions (rear)	22.5 x 9.00

ELECTRICS

Tension	24v negative earth return
Alternator	28v, 90A
Starter	24v, 5.5kW
Batteries	2 x 12v, 170 Ah
Circuits protected	By fuse
System	Multiplex - CAN line data bus

SUSPENSIONS

Front	Parabolic leaf
Rear	Air springs in both axles
Anti roll bar	Front and both rear axles
Shock absorbers	2 on front, 4 on rear

AXLES

Steering with single wheels	IVECO 5876. Rigid
Drive with twin wheels	MS13-175/2D. Single reduction
Liftable third axle, not steering	56082/1. Twin wheel
Differential lock	Cross axle
Rear axle ratio	See Performances

FUEL TANK

Type and capacity	600 lt, aluminium with lockable fuel cap
-------------------	--

CHASSIS

Type	Ladder construction. Pressed steel side members and riveted and bolted cross members
Side member length (mm)	304.4
Flange width (mm)	80

CAB INTERIOR

Active Time

Interior incorporating: air suspended 3-way adjustable driver's seat, inertia reel belt. Passenger seat 2 way adjustable with inertia reel belt. Soft feel dashboard with multi-functional steering wheel incorporating touch button menu controls for the real time digital display. Dual scale speedometer. All gauge functions monitored using international symbols. Heater. Left and right hand entry assist handles. Pneumatic adjustable steering column, 2 column mounted control stalks, left stalk operating the indicators, main beam, windscreen wash wipe, (if provided) right stalk operating Eurotronic 2 gear change, engine brake, cruise control and variable speed limiter. If provided, right of the steering column is the dash mounted Eurotronic gearbox controls for automatic and semi-automatic modes, neutral, reverse and low speed manoeuvring mode (forward and reverse). Overhead console for CB radio. Courtesy and map reading lights. Electronic PTO switch and in cab preparation. Fabric trim cab interior. Single low level bunk with under bunk storage, bottle holder and storage and control panel.

CAB EXTERIOR

Active Time

Forward control cab. Galvanised pressed steel construction with SMC for vulnerable parts. Helical spring suspension and dampers. Hydraulic cab tilt to 60 deg. Tinted electric door windows and tinted laminated screen. Manual rear-view mirrors plus kerb and wide-angle mirrors, according to 2003/97/EC. Blind rear cab panel. External stowage for tools. Plastic front bumper.

IVECO

WWW.IVECO.CO.ZA